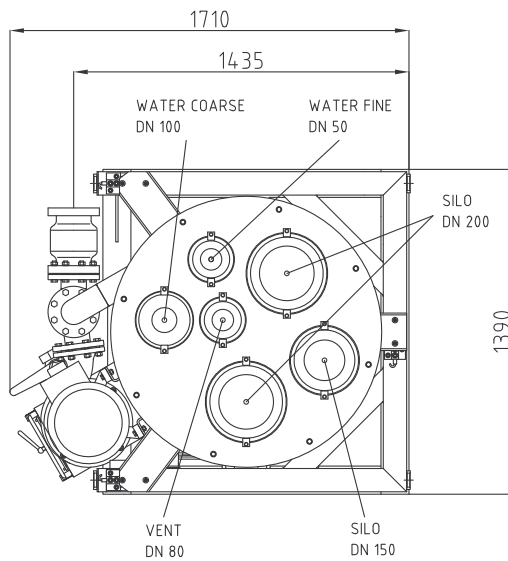
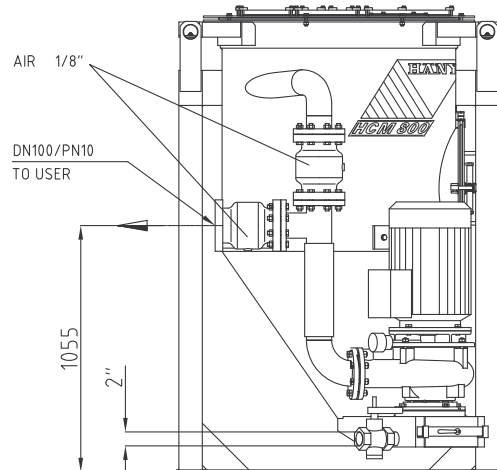
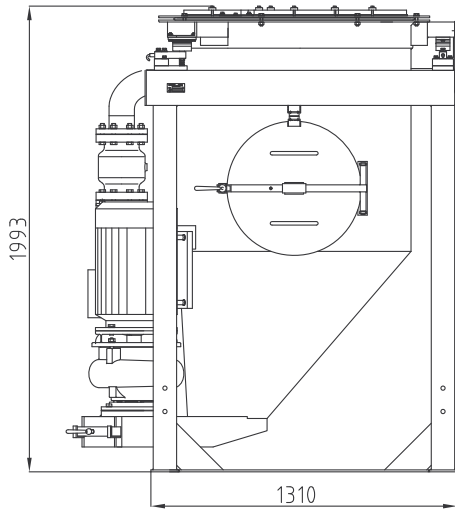


Data sheet

HCM 800

Mixing Pump	TMP	40	
Production approx (w/c = 1)	m ³ /h	20	
Circulation capacity	l/min	2400	
Usable content	l	800	
Max. particle size	mm	3	
Electric motor	50 Hz	kW	22
	60 Hz	kW	25
Water connection		-	
Weight	kg	1225	



Hány AG reserves the right to make improvements and modifications to their equipment without notice.

GROUTING SYSTEMS



GROUTING SYSTEMS

HÄNY

Häny AG • Buechstrasse 20 • CH-8645 Jona/Switzerland
Tel. + 41 44 925 41 11 • Fax +41 44 923 62 45 • www.haeny.com

